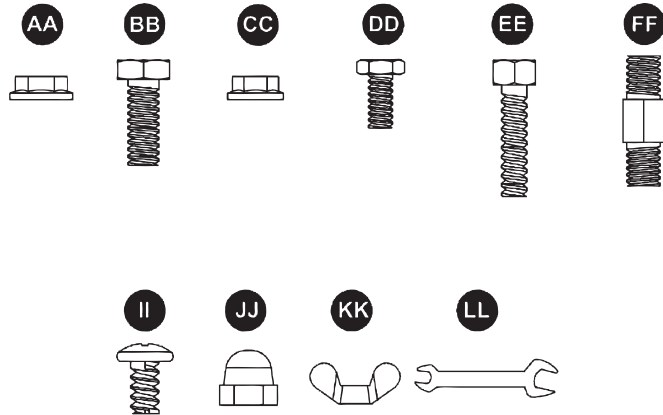
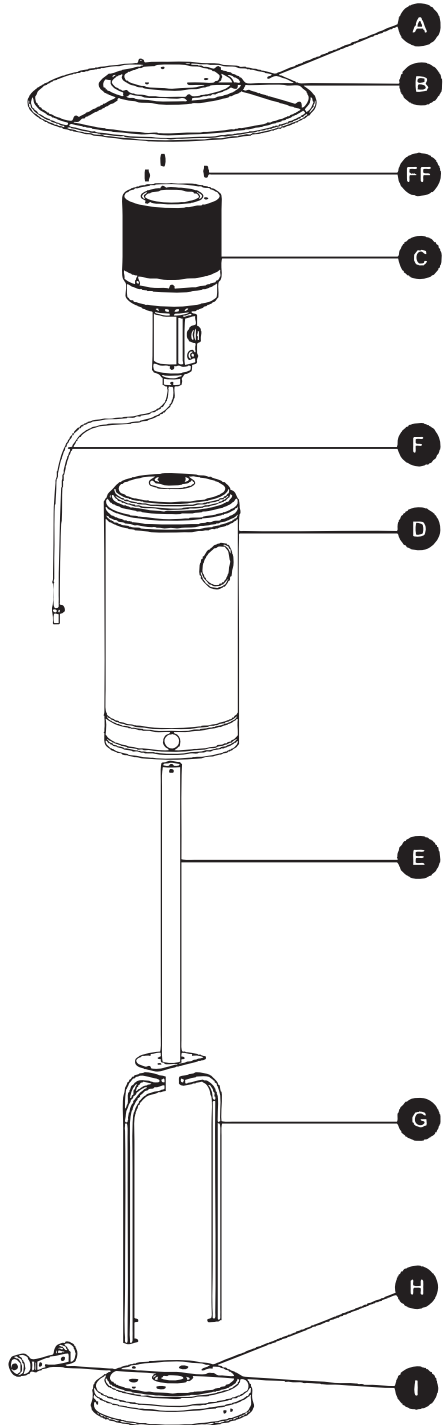


Parts Breakdown

Model PH-CN-0045-S 47016



Parts Breakdown

Model PH-CN-0045-S 47016

Item No.	Description	Position	Item No.	Description	Position	Item No.	Description	Position
AG797	Reflector Panel for 47016	A	AG803	Stainless Steel Bolt for 47016	DD	AG809	Wheel Kit for 47016	I
AG798	M8 Flange Nut for 47016	AA	AG804	Post for 47016	E	AG810	Screw M6x10 for 47016	II
AG799	Reflector Plate for 47016	B	AG805	Bolt M6x30 for 47016	EE	AG811	Cap Nut for 47016	JJ
AG800	Bolt M8x16 for 47016	BB	AF829	Gas Hose for 47016	F	AG593	Wing Nut for 47016	KK
AF683	Head Assembly for 47016	C	AG806	Reflector Spacer for 47016	FF	AG812	Wrench for 47016	LL
AG801	M6 Flange Nut for 47016	CC	AG807	Support Bracket for 47016	G	AG534	Reflector Panel Complete for 47016	
AG802	Cylinder Housing for 47016	D	AG808	Base for 47016	H			